



**POWER
AT WORK**

Technical Specification

8m Cassette Reel S CMG08164SL-PX

Features

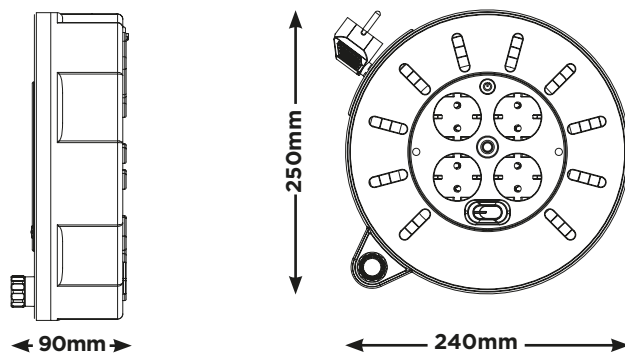
- » Portable cassette reel with four shuttered sockets
- » Safety thermal cut-out
- » Power on/off switch
- » Power LED indicator



Description

A lightweight and portable solution for most light duty DIY needs. The compact nature allows for easy transportation and storage. This cassette reel includes four shuttered sockets, LED indicator, integrated power switch and a safety thermal cut-out for protection against overloading when fully reeled.

Line Diagrams



Technical Specifications

Standards	EN 61242
Maximum Load	1,000W/230V - Fully Wound 3,000W/230V - Fully Unwound
Switch	Double Pole
Cable length	8m
Cable Size	1.5mm ² (H05VV-F)



Product Information

Part No	CMG08164SL-PX	Qty	5
Type	Cassette Reel	Shipping Carton Info (m)	H:0.48 x W:0.26 x D:0.26
Cable Type	PVC	CBM (m³)	0.033
Weight (kg)	1.3	G.W (kg)	7.5
Amp	13	EAN Barcode	5015056523385
Product Dimensions (cm)	H:25 x W:24 x D:9	ITF Barcode	5015056523422



5 year warranty

Please see our website www.masterplug-proxt.com for more details.

Sales team Germany

Luceco GmbH

Holstenplatz 20b, 22765 Hamburg, Deutschland

Tel: +49 40 89066 8780 Fax: +49 40 89066 87829

E-Mail: eu_sales@luceco.de

www.masterplug-proxt.com/de

Tech Help Line: (England) 03300 249 279
(Non UK) +44(0) 1952 238 100



**POWER
AT WORK**